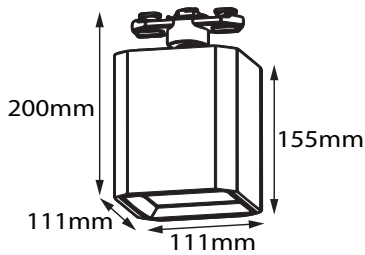




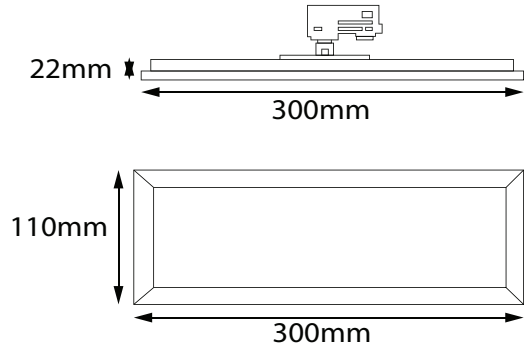
TS111155 Track Spotlight

Input Voltage 220-240VAC Multivoltage / 50-60Hz
 Light Power 11W
 Luminous flux ~840lm
 Light Source OSRAM SMT led
 CCT 2700K, 3000K, 4000K, 5000K
 CRI >80
 Optical components Lens and honey comb
 Beam Angle Reflector 90°
 Driver Built-in constant current DC300mA 36V
 Operating Temperature -25°c~+50°

TS111155



TS300110



TS300110 Track Spotlight

Input Voltage 100-240VAC/ 50-60Hz
 Light Power 20W
 Luminous flux ~1500lm
 Light Source SAMSUNG
 CCT 3000K, 4000K, 5000K
 CRI >80
 Optical components LGP
 Beam Angle Reflector 90°
 Driver Built-in constant current
 Operating Temperature -25°c~+50°